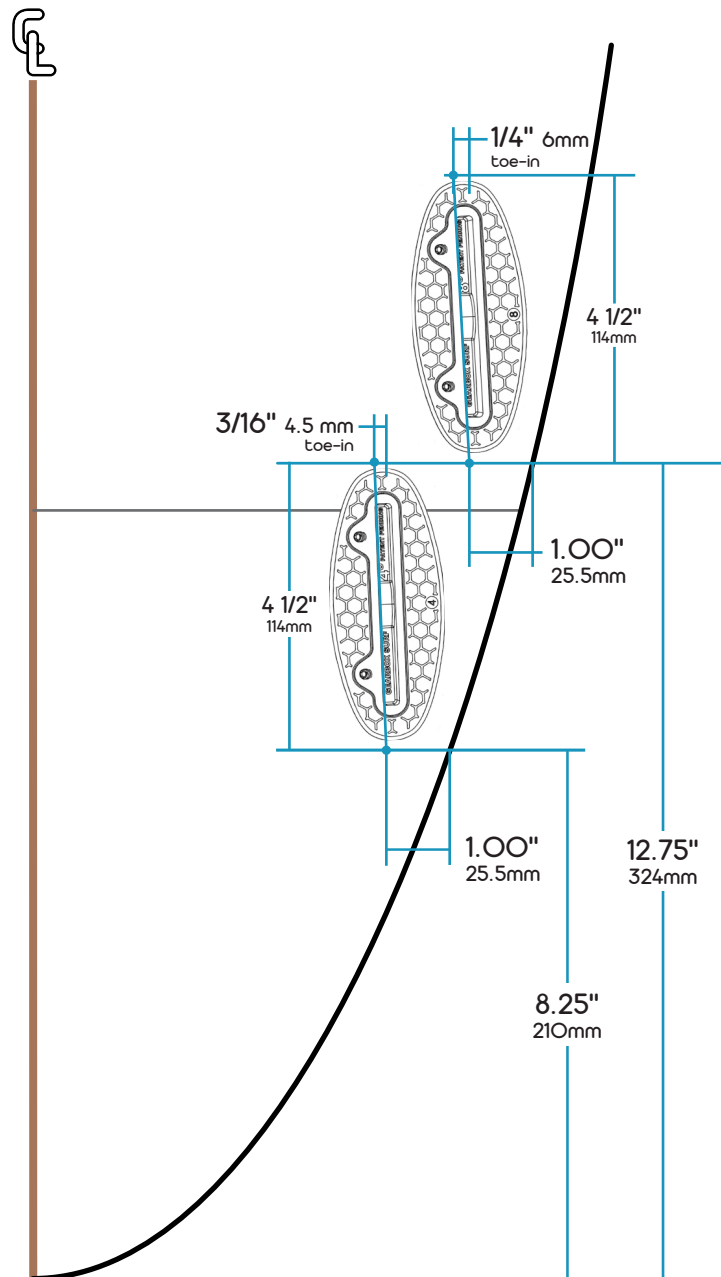


QUAD Layout



NOTE

If you have looked at our previous layouts note that we have adjusted the position of the back fin to reflect our latest thinking

This is our current layout for a **QUAD** for a typical shortboard. This should be considered a starting point for your own designs. The cluster should be moved forward or back as the length of the board changes. This grouping of the cluster works well as a modern setup, if more stiffness is needed the boxes can be spread further apart, as needed. The back fin placement should be moved further inboard for boards with a straighter outline in the tail (Fish), normally this can range from 1/8" to 1/4". Cant angles - FRONT 8° and BACK 4°.

We use a **G Square** for our fin layouts, so the fin base width is the standard 4.50" used on the square.



AUSTRALIA - HAWAII
copyright© 2020 Mair Designs LLC All Rights Reserved

177 Slippery Creek Road,
Mortons Creek, NSW 2446
+61 417 243 592

PO Box 424
Hanalei, HI 96714
+1 808 639 5303

info@gearbox.surf gearbox.surf

DESIGN	GEARBOX QUAD Layout		
DESCRIPTION	Current Quad layout for a typical shortboard		
DESIGNER	Robin Mair	SCALE	No Scale
DATE	2020-08-10	REVISION	3